

1 2 3 4 5 6

A

A

B

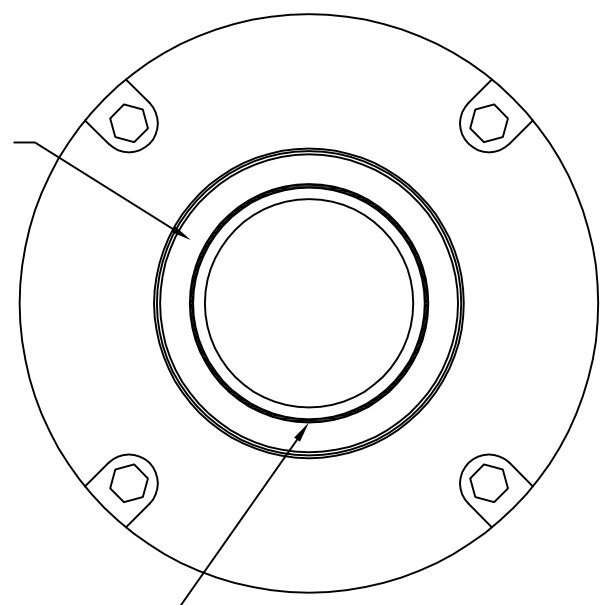
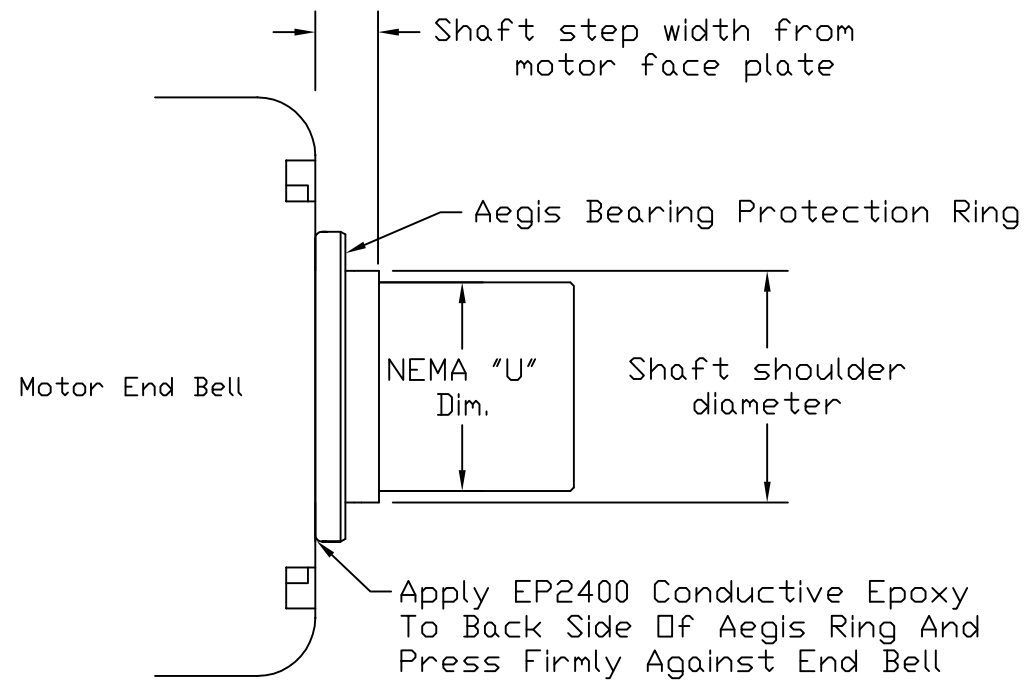
B

C

C

D

D



Conductive Micro Fiber

Note:

Aegis Supplied With EP2400 Conductive Epoxy

SGR □□

1.60" (40.6mm)	4.60" (116.8mm)
2.10" (53.3mm)	5.10" (129.5mm)
2.68" (68.1mm)	5.60" (142.2mm)
3.10" (78.7mm)	6.10" (154.9mm)
3.60" (91.4mm)	6.60" (167.6mm)
4.10" (104.1mm)	7.10" (180.3mm)

Patented Technology

THEREIN, ARE THE EXCLUSIVE PROPERTY OF ELECTRO STATIC TECHNOLOGY ISSUED IN STRICT CONFIDENCE AND SHALL NOT WITHOUT CONSENT, BE REPRODUCED, COPIED OR USED FOR ANY PURPOSE WHATSOEVER, EXCEPT BUSINESS WITH E.S.T.

UNLESS OTHERWISE SPECIFIED	
DIMENSIONS ARE IN:	
MILLIMETERS	<input type="checkbox"/>
INCHES	<input type="checkbox"/>
UNTOLERANCED DIMENSIONS	
4/20/2010	
ENGINEER: J. Richardson	
EST P/N:	
	Rev.

ELECTRO STATIC TECHNOLOGY
AN ITW COMPANY

31 WINTERBROOK ROAD, MECHANIC FALLS, MAINE 04256
PHONE (207)998-5140 FAX (207)998-5143

Aegis Solid Bearing Protection
With Conductive Epoxy Mounting

1 2 3 4 5 6