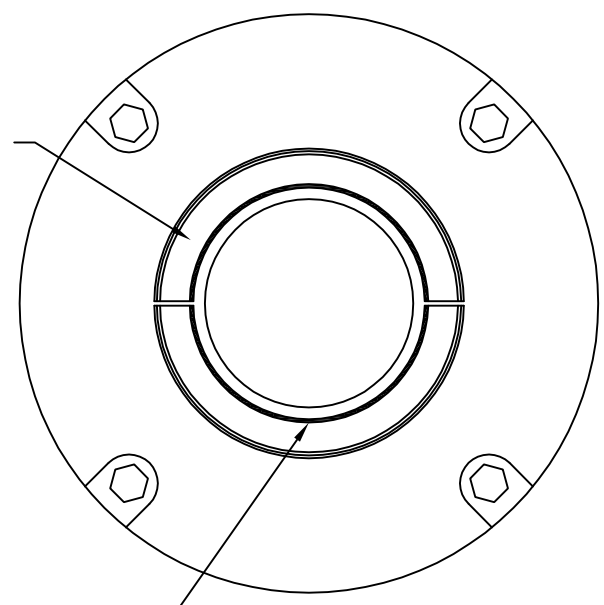
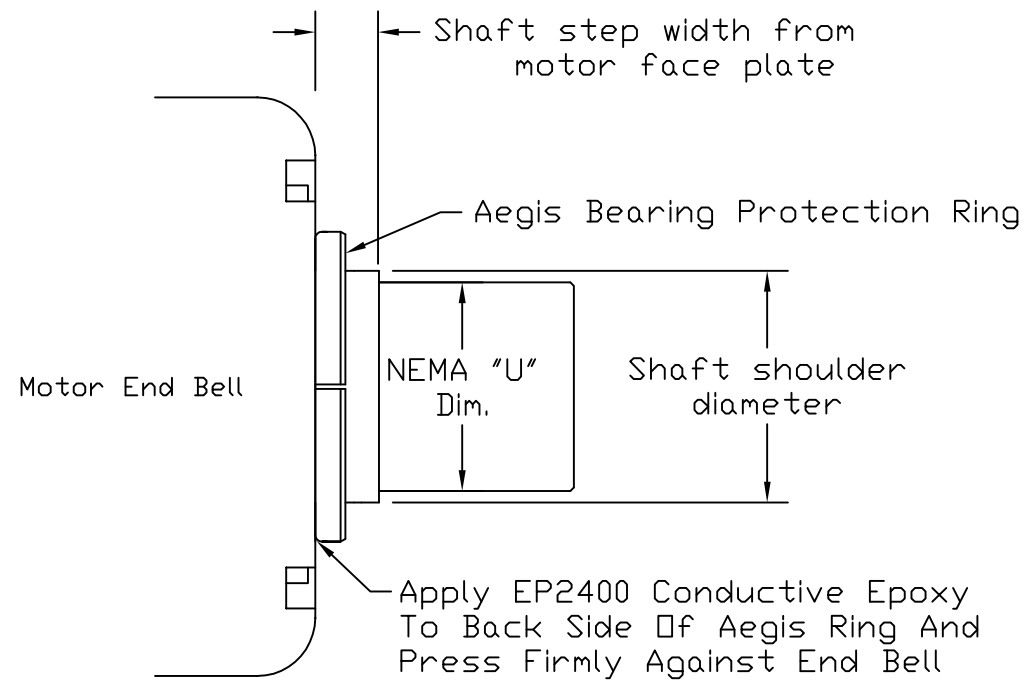


1 2 3 4 5 6

A  
B  
C  
D

A  
B  
C  
D



Conductive Micro Fiber

Note:

Aegis Supplied With EP2400 Conductive Epoxy

Patented Technology

SGR □□

1.60" (40.6mm)	4.60" (116.8mm)
2.10" (53.3mm)	5.10" (129.5mm)
2.68" (68.1mm)	5.60" (142.2mm)
3.10" (78.7mm)	6.10" (154.9mm)
3.60" (91.4mm)	6.60" (167.6mm)
4.10" (104.1mm)	7.10" (180.3mm)

THEREIN, ARE THE EXCLUSIVE PROPERTY OF ELECTRO STATIC TECHNOLOGY ISSUED IN STRICT CONFIDENCE AND SHALL NOT WITHOUT CONSENT, BE REPRODUCED, COPIED OR USED FOR ANY PURPOSE WHATSOEVER, EXCEPT BUSINESS WITH E.S.T.

UNLESS OTHERWISE SPECIFIED	
DIMENSIONS ARE IN:	
MILLIMETERS	<input type="checkbox"/>
INCHES	<input type="checkbox"/>
UNTOLERANCED DIMENSIONS	
4/20/2010	
ENGINEER: J. Richardson	
EST P/N: _____	
Rev. _____	

**ELECTRO STATIC TECHNOLOGY**  
AN ITW COMPANY

31 WINTERBROOK ROAD, MECHANIC FALLS, MAINE 04256  
PHONE (207)998-5140 FAX (207)998-5143

**Aegis Split Bearing Protection  
With Conductive Epoxy Mounting**

1 2 3 4 5 6