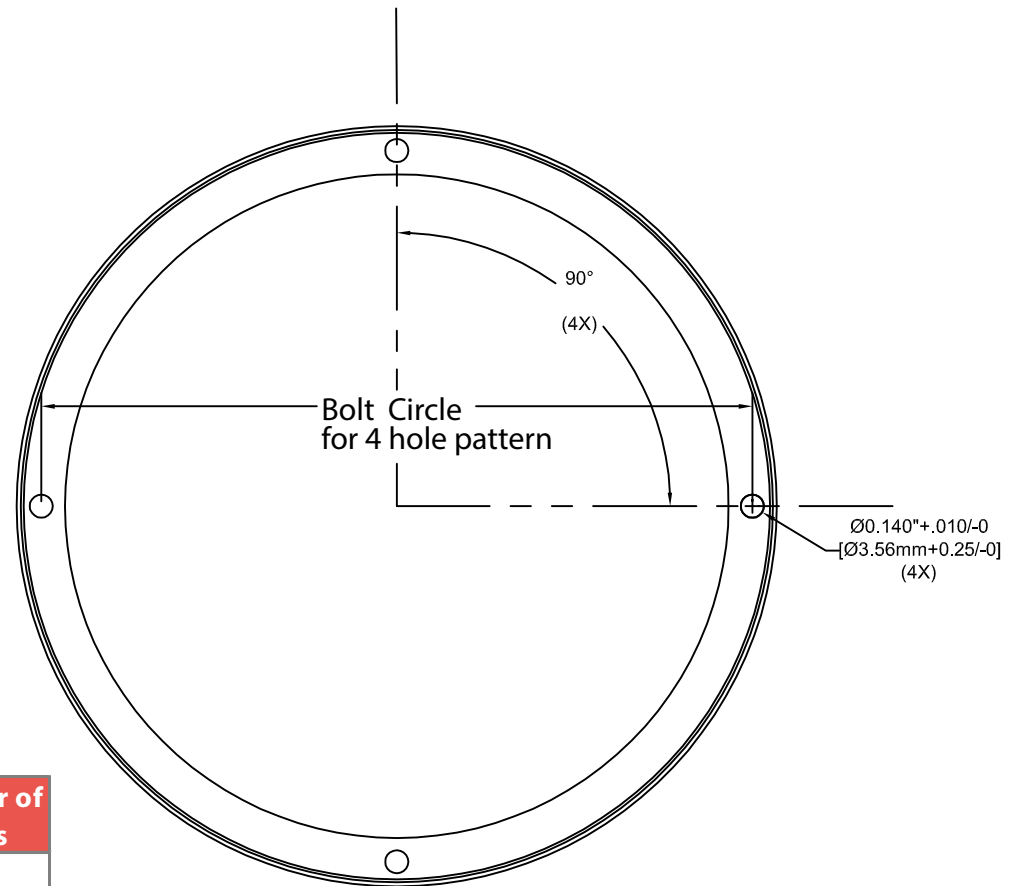
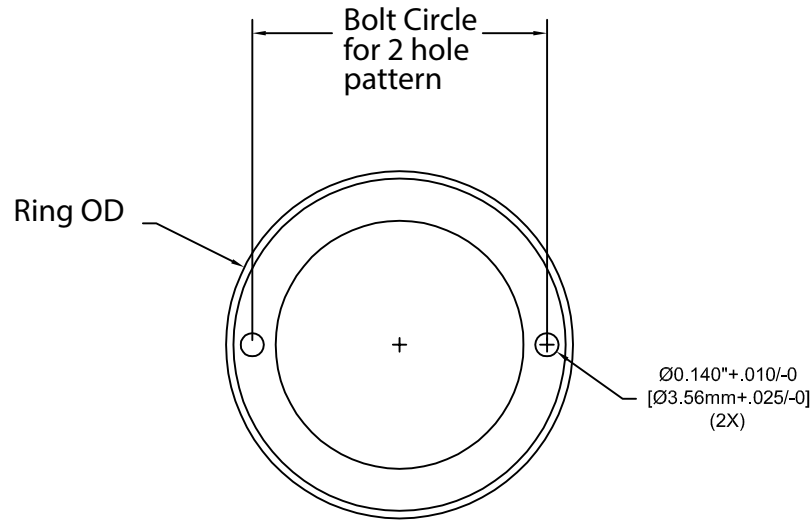



Note:  
 Supplied with M3 - 0.5 x 14mm Socket Head Cap Screws  
 and M3 Split Lock Washers



Min.shaft diameter	Max.shaft diameter	Ring OD $\pm 0.10$ $[\pm 0.25]$	Bolt Circle $\pm 0.10$ $[\pm 0.25]$	Number of holes
0.311 [7.9]	0.645 [16.4]	1.60 [40.64]	1.200 [30.48]	2
0.646 [16.5]	1.395 [35.4]	2.10 [53.34]	1.783 [45.29]	2
1.396 [35.5]	2.020 [51.3]	2.68 [68.07]	2.433 [61.80]	2
2.021 [51.4]	2.395 [60.8]	3.10 [78.74]	2.783 [70.69]	2
2.396 [60.9]	2.895 [73.5]	3.60 [91.44]	3.294 [83.67]	2
2.896 [73.6]	3.395 [86.2]	4.10 [104.14]	3.806 [96.67]	2
3.396 [86.3]	3.895 [98.9]	4.60 [116.84]	4.300 [109.22]	4
3.896 [99.0]	4.395 [111.6]	5.10 [129.54]	4.783 [121.49]	4
4.396 [111.7]	4.895 [124.3]	5.60 [142.24]	5.282 [134.16]	4
4.896 [124.4]	5.395 [137.0]	6.10 [154.94]	5.783 [146.89]	4
5.396 [137.1]	5.895 [149.7]	6.60 [167.64]	6.290 [159.77]	4
5.896 [149.8]	6.020 [152.9]	7.10 [180.34]	6.596 [167.54]	4

Part Number	Description	Qty
THEREIN, ARE THE EXCLUSIVE PROPERTY OF ELECTRO STATIC TECHNOLOGY ISSUED IN STRICT CONFIDENCE AND SHALL NOT WITHOUT CONSENT, BE REPRODUCED, COPIED OR USED FOR ANY PURPOSE WHATSOEVER, EXCEPT BUSINESS WITH E.S.T.		
UNLESS OTHERWISE SPECIFIED DIMENSIONS ARE IN:		
MILLIMETERS <input checked="" type="checkbox"/>		
INCHES <input checked="" type="checkbox"/>		
UNTOLERANCED DIMENSIONS		
OVER	TO	TOLERANCE
DATE: 9/3/2014		
ENGINEER: J. Audet		
 <b>ELECTRO STATIC TECHNOLOGY</b> AN ITW COMPANY		
31 WINTERBROOK ROAD, MECHANIC FALLS, MAINE 04256 PHONE (207)998-5140 FAX (207)998-5143		
<b>AEGIS SGR Bolt Through Mounting</b>		
DRAWING NO. SGR-XXX.X-3		Rev A